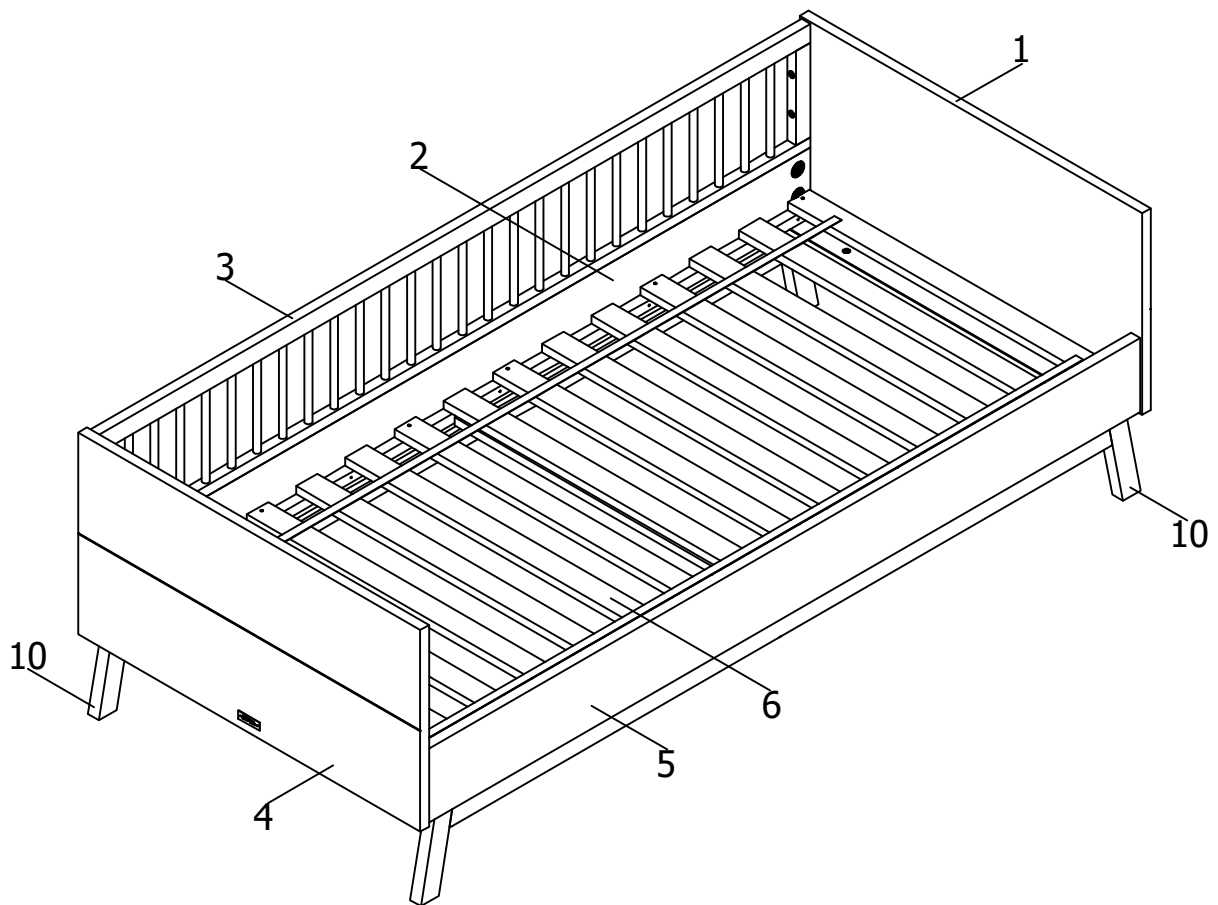


ASSEMBLY INSTRUCTION
MONTAGE HANDLEIDING
MONTAGE ANLEITUNG
NOTICE DE MONTAGE
MANUAL DE MONTAJE

UK
NL
D
F
ESP

MODEL
TYPE
COLOUR
ART.CODE

:LINES
:BENCHBED 90X200
:DUNE/NATURAL
:149190.59













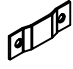




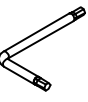
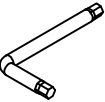
Distributor:

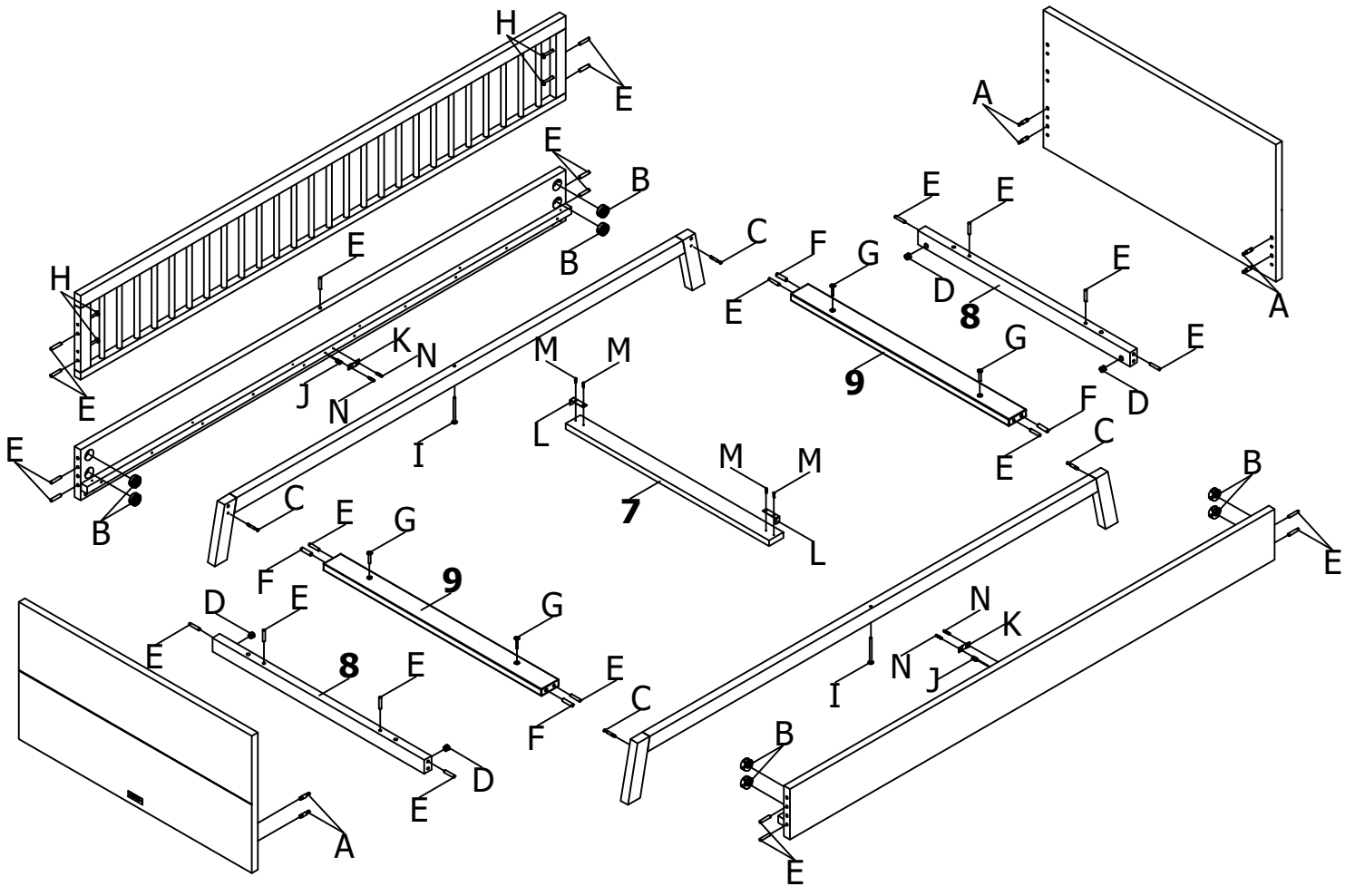
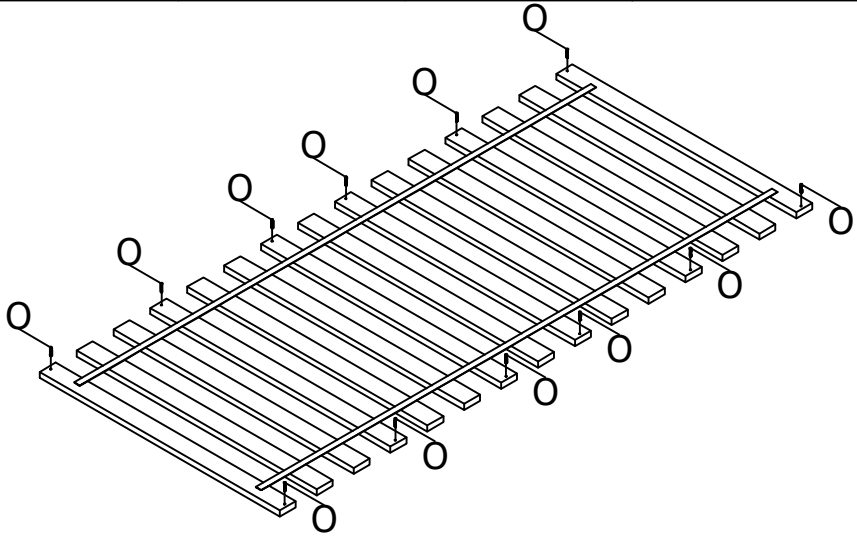
BOPITA
Energieweg 1
6662 NS Elst
The Netherlands

www.bopita.com

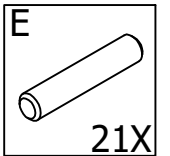
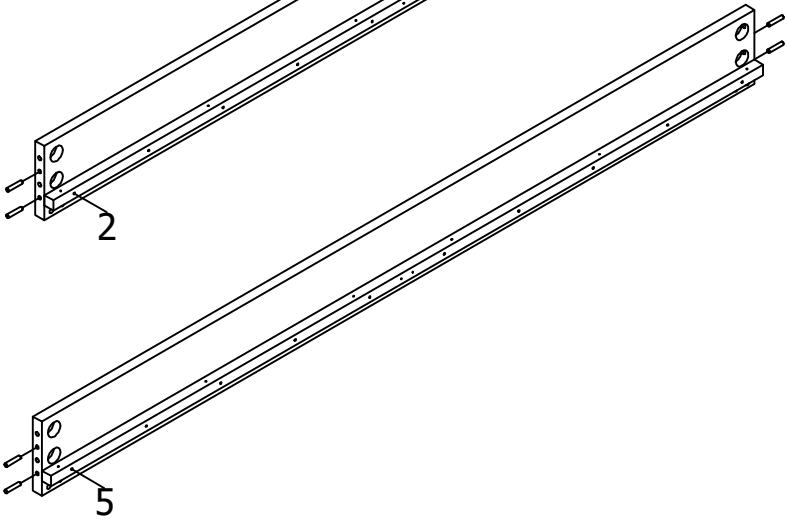
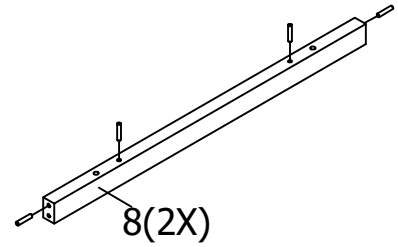
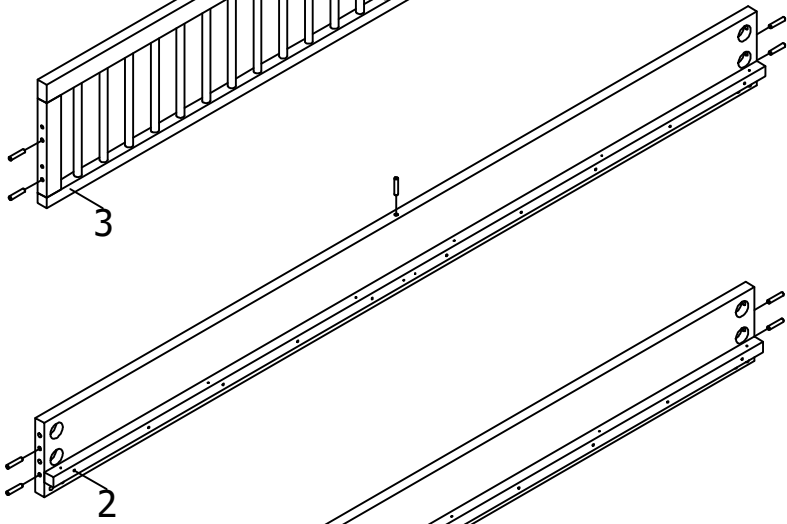
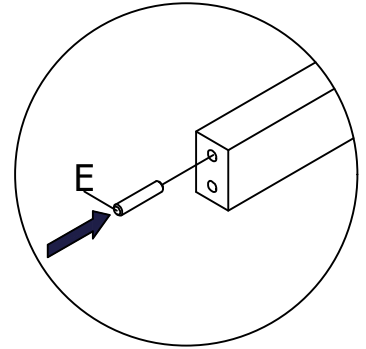
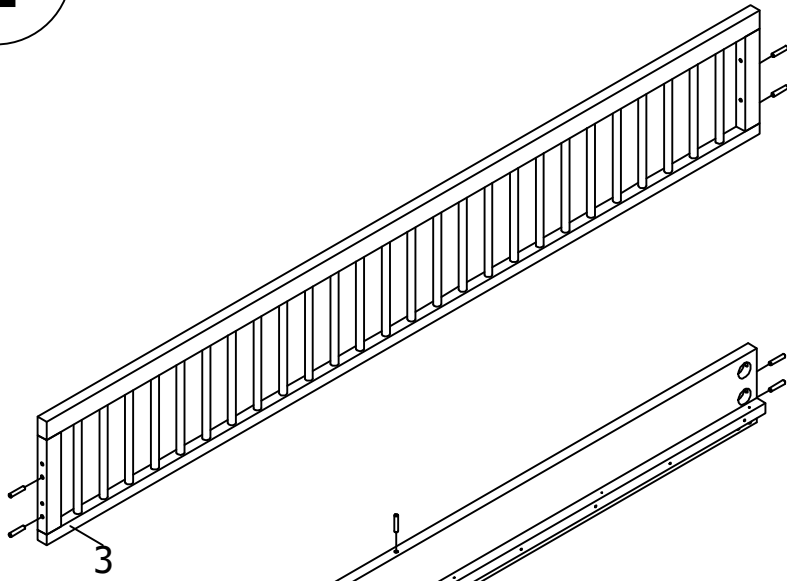


08.01.2024.

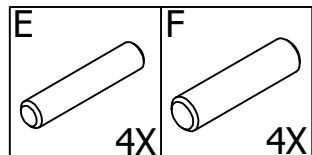
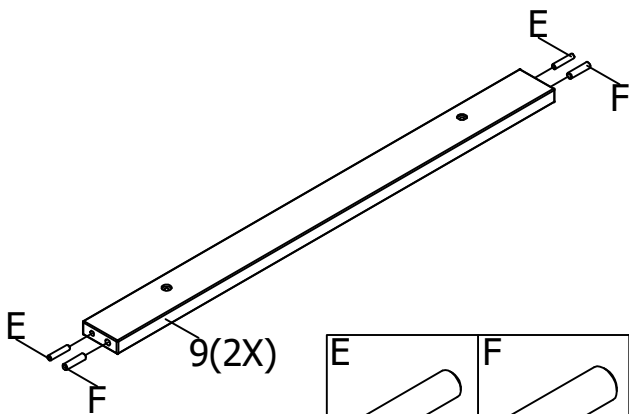
| | | | | | |
|---|---|--|--|---|---|
| A  8X | B  8X | C  4X | D  4X | E  Ø8X40 25X | F  Ø10X40 4X |
| G  M6X35 4X | H  M6X50 4X | I  M6X90 2X | J  M6 2X | K  2X | L  2X |
| M  3.5X16 4X | N  3.5X25 4X | O  3.5X35 12X | P  SW4 1X | Q  SW6 1X | |



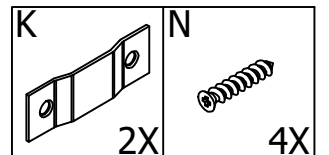
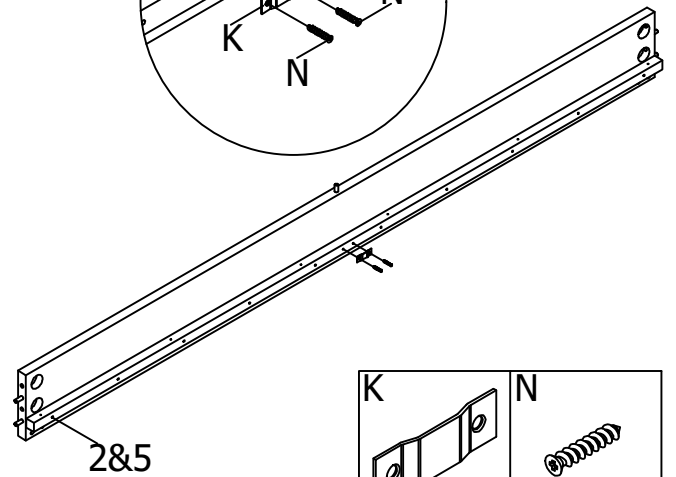
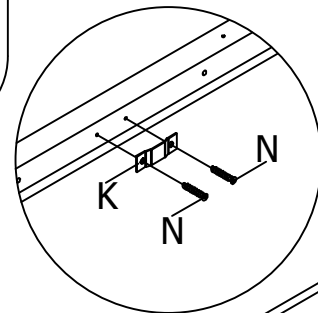
1

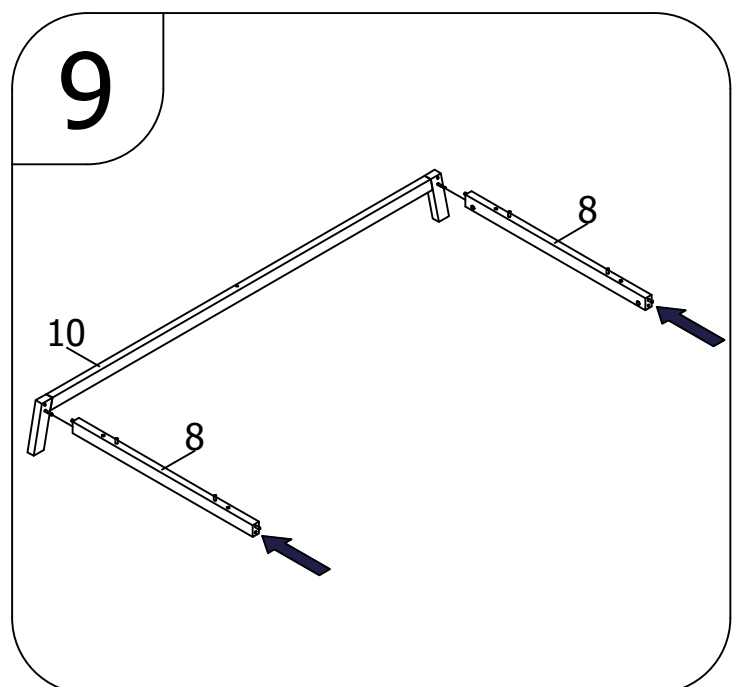
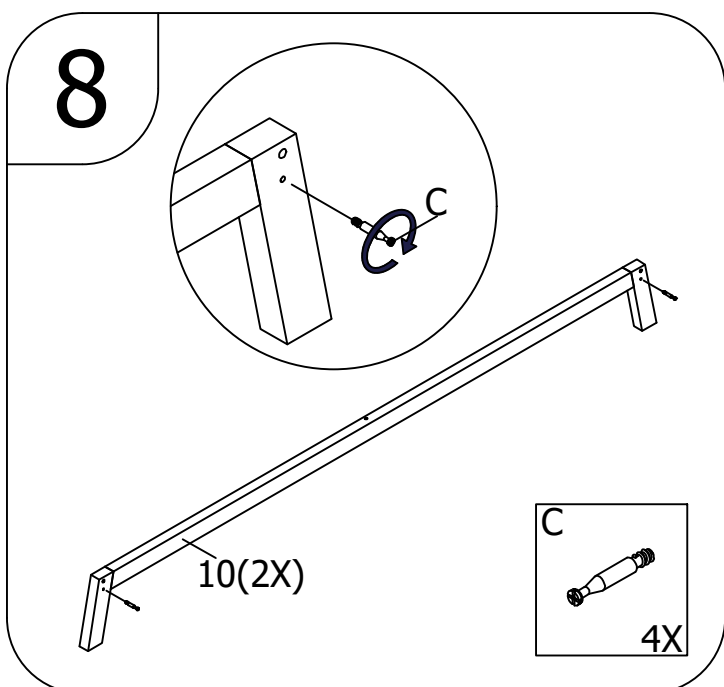
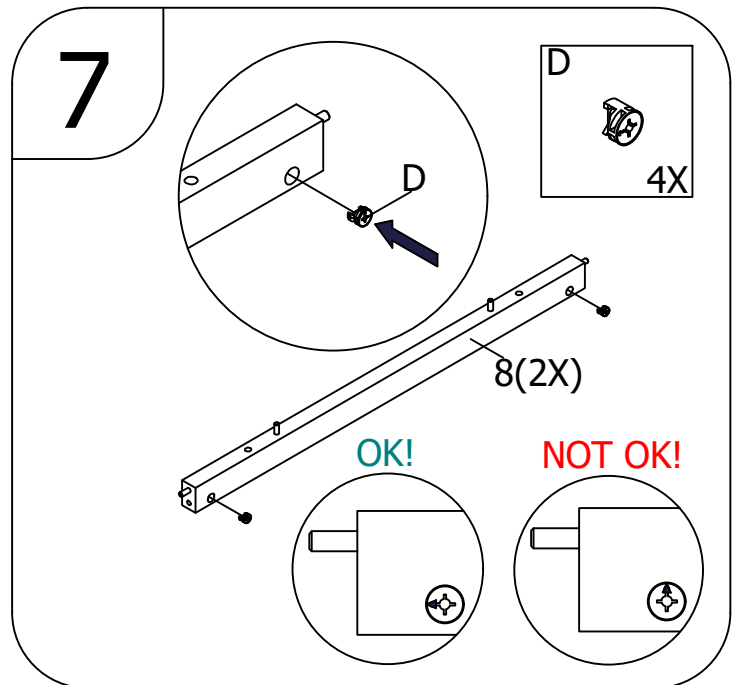
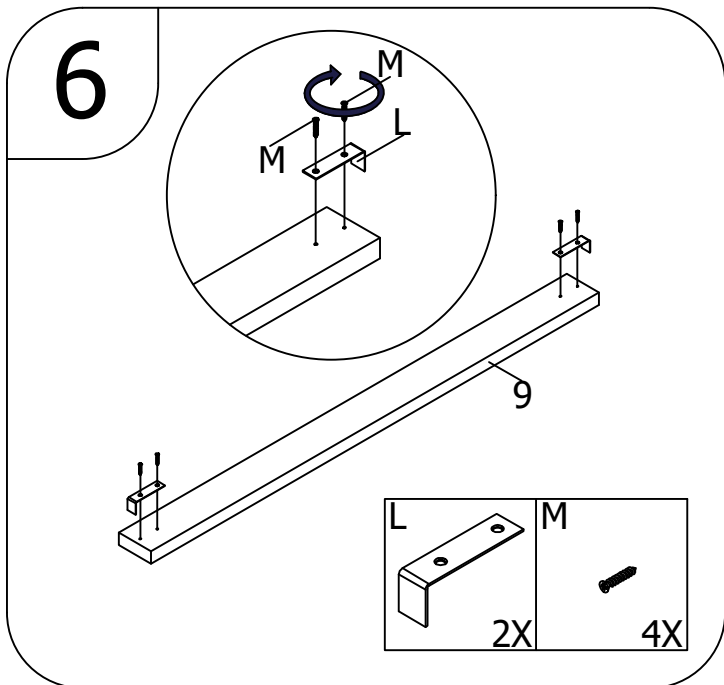
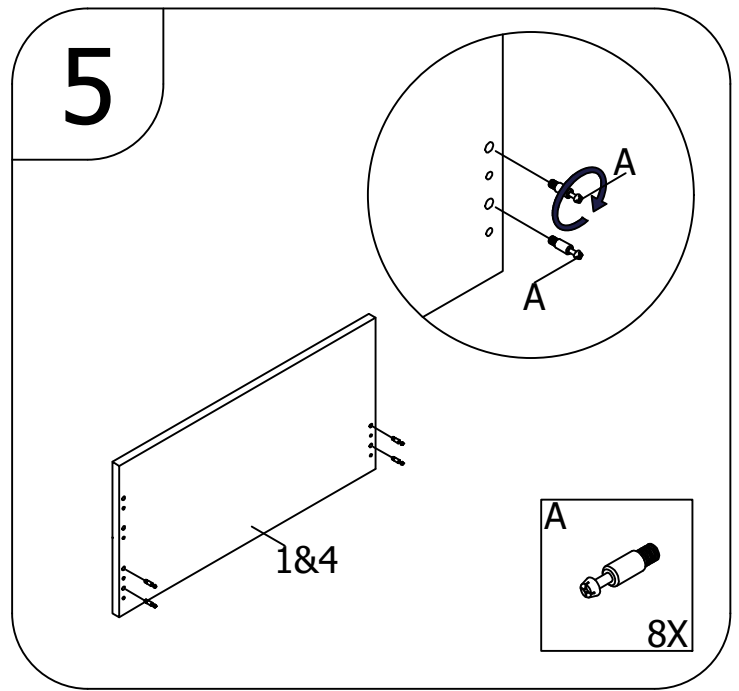
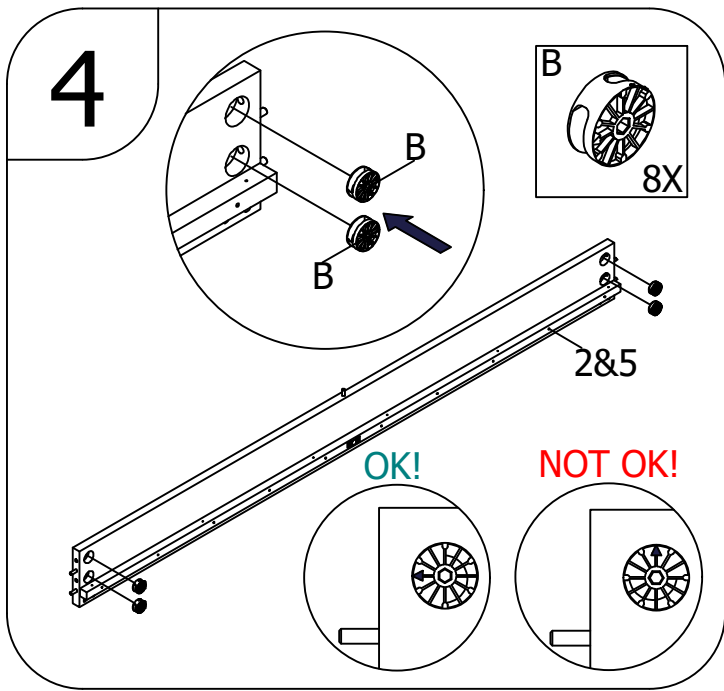


2

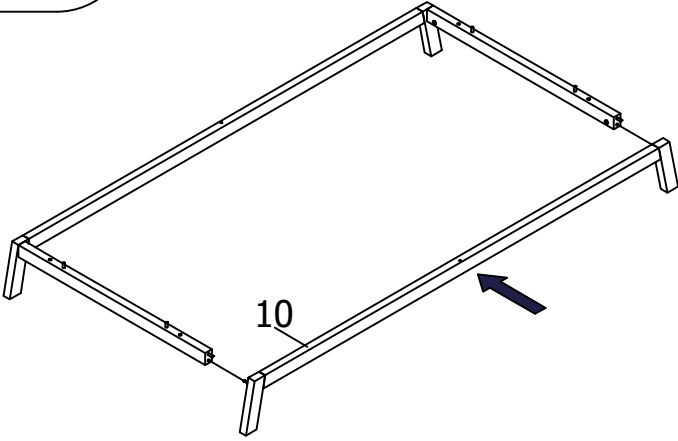


3

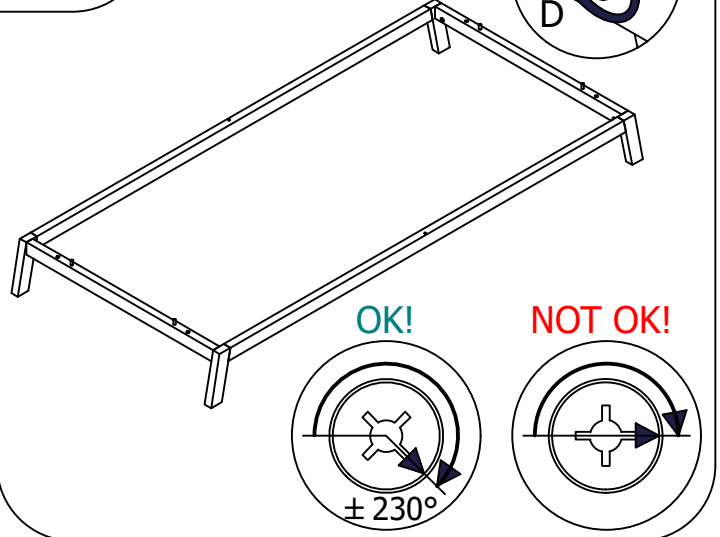




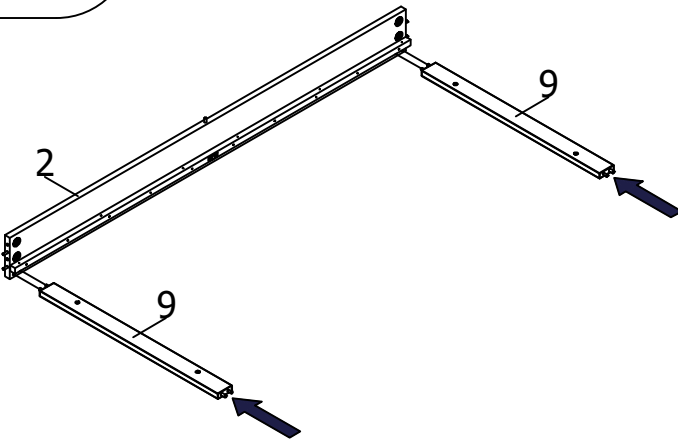
10



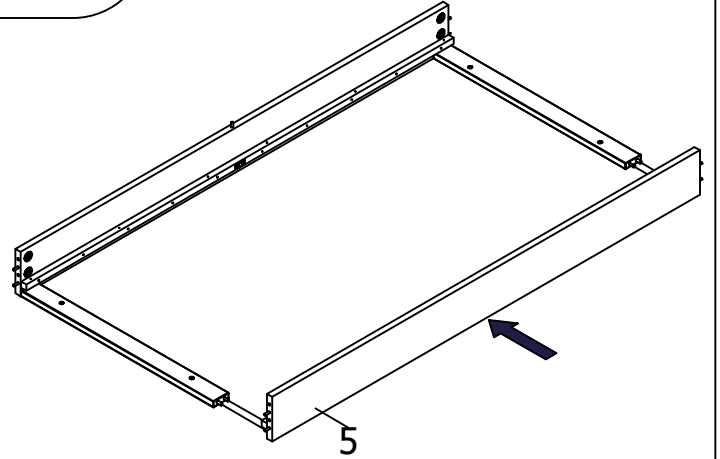
11



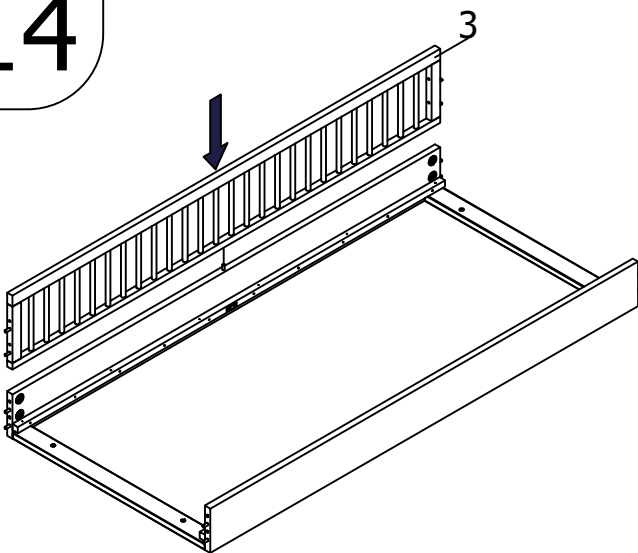
12



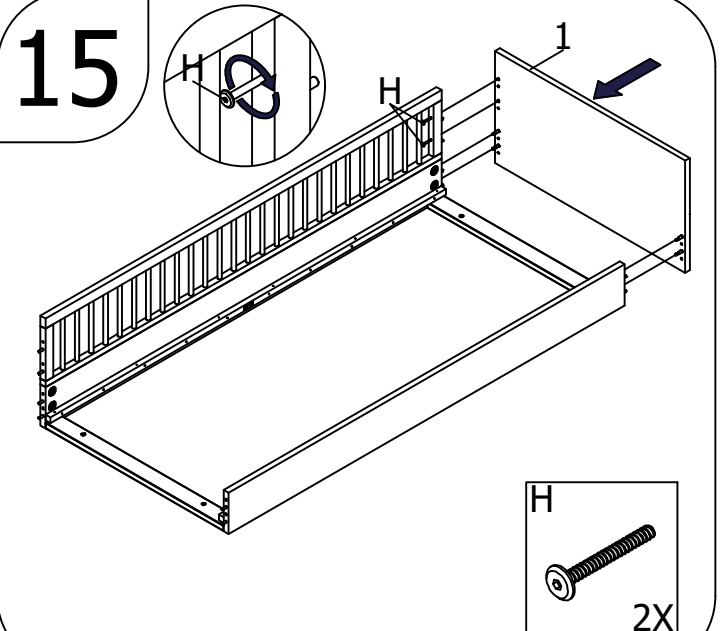
13



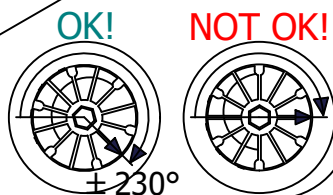
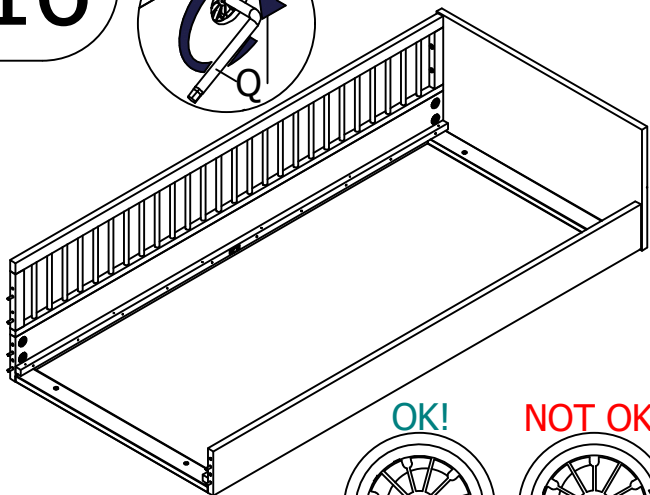
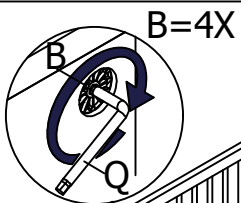
14



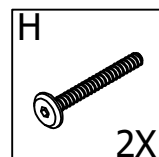
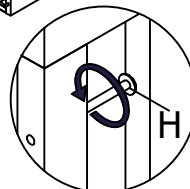
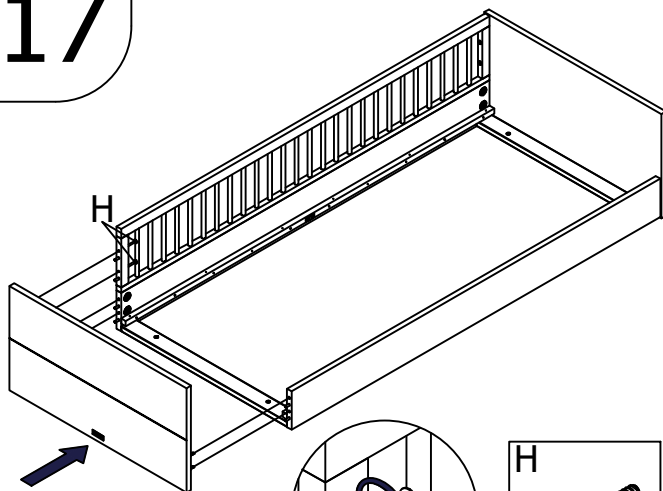
15



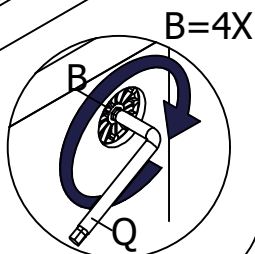
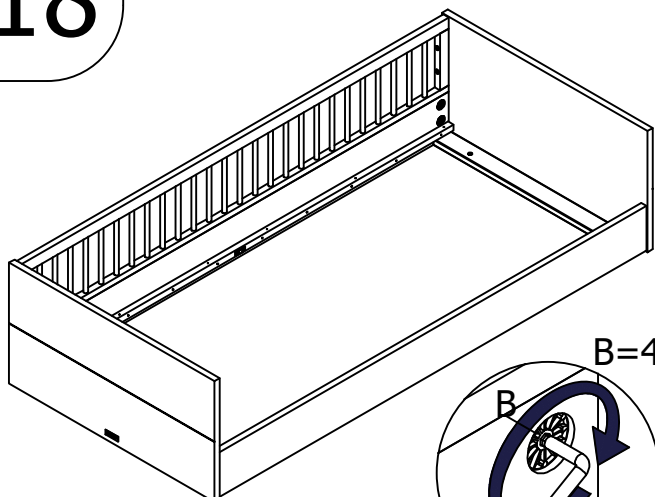
16



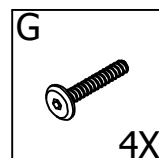
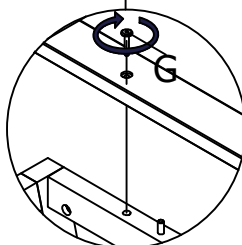
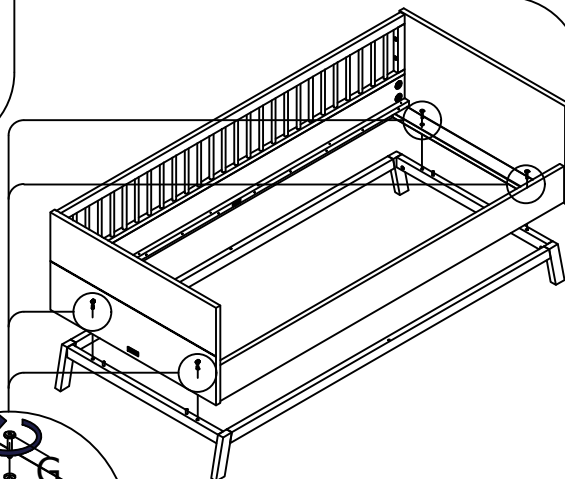
17



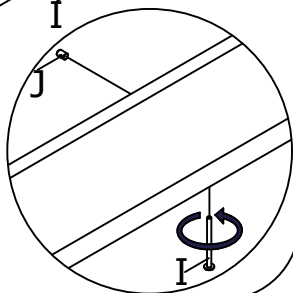
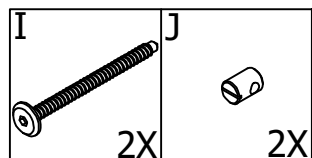
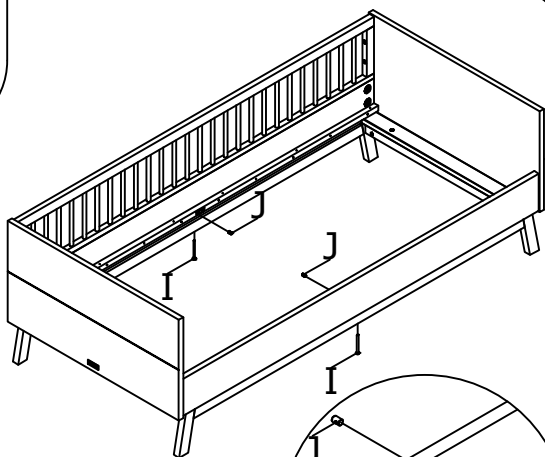
18



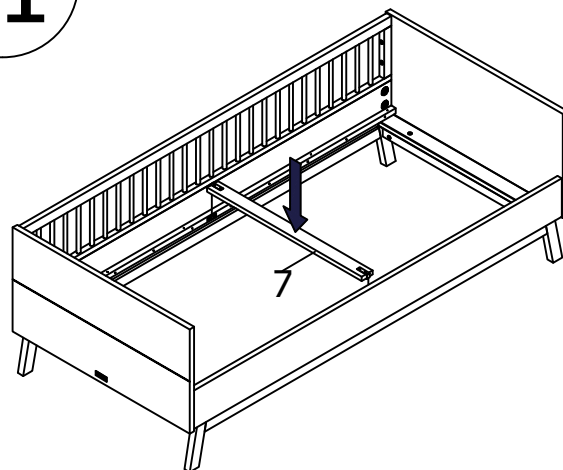
19



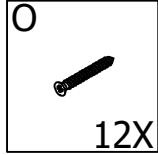
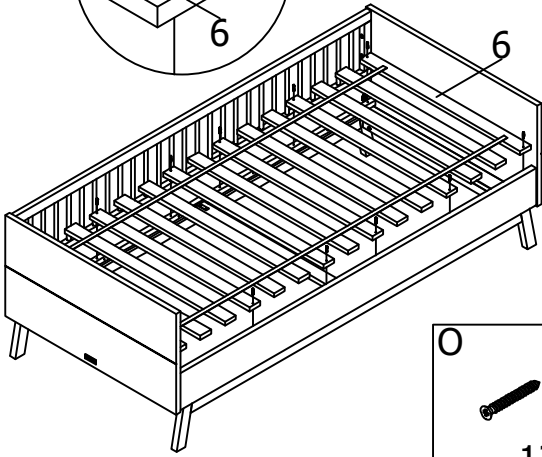
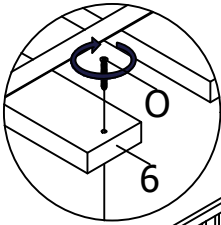
20



21



22



23

